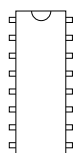


# A6821

## DABiC-5 8-Bit Serial Input Latched Sink Drivers

Package A  
16-pin DIP



Package LW  
16-pin Wide Body SOIC



### ABSOLUTE MAXIMUM RATINGS

Output Voltage, $V_{OUT}$ .....	50 V
Logic Supply Voltage, $V_{DD}$ .....	7 V
Input Voltage Range, $V_{IN}$ .....	-0.3 V to $V_{DD}+0.3$ V
Continuous Output Current (each output), $I_{OUT}$ ...	500 mA
Package Power Dissipation, $P_D$	
A6821SA/A6821EA .....	2.1 W
A6821SLW .....	1.5 W
Operating Temperature Range	
Ambient Temperature, $T_A$ .....	-20°C to +85°C
Storage Temperature, $T_S$ .....	-55°C to +150°C

Caution: CMOS devices have input-static protection, but are susceptible to damage when exposed to extremely high static-electrical charges.

A merged combination of bipolar and MOS technology gives these devices an interface flexibility beyond the reach of standard logic buffers and power driver arrays. Typical applications include driving multiplexed LED displays or incandescent lamps.

The A6821 has an eight-bit CMOS shift register and CMOS control circuitry, eight CMOS data latches, and eight bipolar current-sinking Darlington output drivers.

The CMOS inputs are compatible with standard CMOS logic levels. TTL circuits may require the use of appropriate pull-up resistors. By using the serial data output, the drivers can be cascaded for interface applications requiring additional drive lines.

The A6821SA is furnished in a standard 16-pin plastic DIP. The A6821EA is a 16-pin plastic DIP, capable of operation from -40°C to +85°C. The A6821SLW is a 16-lead wide-body SOIC, for surface-mount applications. These devices are lead (Pb) free, with 100% matte tin plated leadframes.

### FEATURES

- 3.3 V to 5 V logic supply range
- Power on reset (POR)
- To 10 MHz data input rate
- CMOS, TTL compatible
- -40°C operation available
- Schmitt trigger inputs for improved noise immunity
- Low-power CMOS logic and latches
- High-voltage current-sink outputs
- Internal pull-up/pull down resistors

### APPLICATIONS

- Multiplexed LED displays
- Incandescent lamps



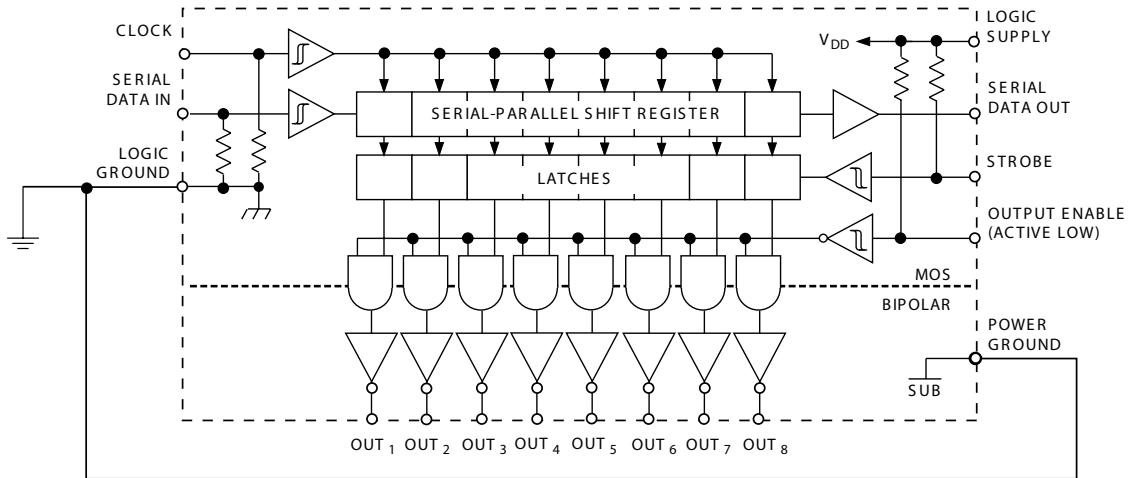
Use the following complete part numbers when ordering:

Part Number	Package	Ambient
A6821SA-T	16-pin DIP	-20°C to +85°C
A6821EA-T	16-pin DIP	-40°C to +85°C
A6821SLW-T	16-pin wide body SOIC	-20°C to +85°C

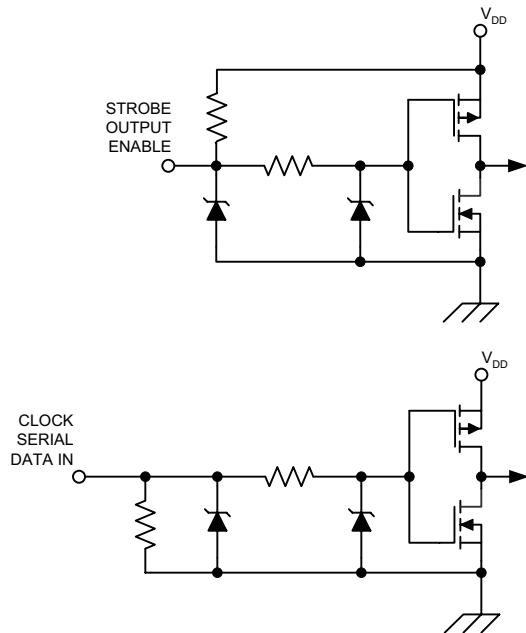
# A6821

## *DABiC-5 8-Bit Serial Input Latched Sink Drivers*

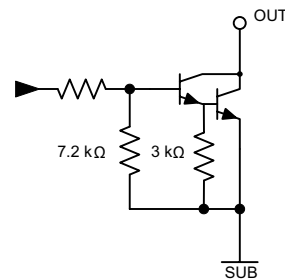
Functional Block Diagram



Typical Input Circuits



Typical Output Driver



# A6821

## *DABiC-5 8-Bit Serial Input Latched Sink Drivers*

**ELECTRICAL CHARACTERISTICS**<sup>1</sup> Unless otherwise noted:  $T_A = 25^\circ\text{C}$ , logic supply operating voltage  $V_{dd} = 3.0\text{V}$  to  $5.5\text{V}$

Characteristic	Symbol	Test Conditions	$V_{dd} = 3.3\text{V}$			$V_{dd} = 5\text{V}$			Units
			Min.	Typ.	Max.	Min.	Typ.	Max.	
Output Leakage Current	$I_{CEX}$	$V_{OUT} = 50\text{V}$	–	–	10	–	–	10	$\mu\text{A}$
Collector–Emitter Saturation Voltage	$V_{CE(SAT)}$	$I_{OUT} = 100\text{mA}$	–	–	1.1	–	–	1.1	V
		$I_{OUT} = 200\text{mA}$	–	–	1.3	–	–	1.3	V
		$I_{OUT} = 350\text{mA}$	–	–	1.6	–	–	1.6	V
Input Voltage	$V_{IN(1)}$		2.2	–	–	3.3	–	–	V
	$V_{IN(0)}$		–	–	1.1	–	–	1.7	V
Input Resistance	$R_{IN}$		50	–	–	50	–	–	k $\Omega$
Serial Data Output Voltage	$V_{OUT(1)}$	$I_{OUT} = -200\mu\text{A}$	2.8	3.05	–	4.5	4.75	–	V
	$V_{OUT(0)}$	$I_{OUT} = 200\mu\text{A}$	–	0.15	0.3	–	0.15	0.3	V
Maximum Clock Frequency <sup>2</sup>	$f_c$		10	–	–	10	–	–	MHz
Logic Supply Current	$I_{DD(1)}$	One output on, OE = L, ST = H	–	–	2.0	–	–	2.0	mA
	$I_{DD(0)}$	All outputs off, OE = H, ST = H, P1 through P8 = L	–	–	100	–	–	100	$\mu\text{A}$
Output Enable-to-Output Delay	$t_{dis(BQ)}$	$V_{CC} = 50\text{V}$ , $R_1 = 500\Omega$ , $C_1 \leq 30\text{pF}$	–	–	1.0	–	–	1.0	$\mu\text{s}$
	$t_{en(BQ)}$	$V_{CC} = 50\text{V}$ , $R_1 = 500\Omega$ , $C_1 \leq 30\text{pF}$	–	–	1.0	–	–	1.0	$\mu\text{s}$
Strobe-to-Output Delay	$t_{p(STH-QL)}$	$V_{CC} = 50\text{V}$ , $R_1 = 500\Omega$ , $C_1 \leq 30\text{pF}$	–	–	1.0	–	–	1.0	$\mu\text{s}$
	$t_{p(STH-QH)}$	$V_{CC} = 50\text{V}$ , $R_1 = 500\Omega$ , $C_1 \leq 30\text{pF}$	–	–	1.0	–	–	1.0	$\mu\text{s}$
Output Fall Time	$t_f$	$V_{CC} = 50\text{V}$ , $R_1 = 500\Omega$ , $C_1 \leq 30\text{pF}$	–	–	1.0	–	–	1.0	$\mu\text{s}$
Output Rise Time	$t_r$	$V_{CC} = 50\text{V}$ , $R_1 = 500\Omega$ , $C_1 \leq 30\text{pF}$	–	–	1.0	–	–	1.0	$\mu\text{s}$
Clock-to-Serial Data Out Delay	$t_{p(CH-SQX)}$	$I_{OUT} = \pm 200\mu\text{A}$	–	50	–	–	50	–	ns

<sup>1</sup>Positive (negative) current is defined as conventional current going into (coming out of) the specified device pin.

<sup>2</sup>Operation at a clock frequency greater than the specified minimum value is possible but not warranted.

### Truth Table

Serial Data Input	Clock Input	Shift Register Contents					Serial Data Output	Strobe Input	Latch Contents					Output Enable Input	Output Contents					
		$I_1$	$I_2$	$I_3$	...	$I_8$			$I_1$	$I_2$	$I_3$	...	$I_8$		$I_1$	$I_2$	$I_3$	...	$I_8$	
H		H	$R_1$	$R_2$	...	$R_7$	$R_7$													
L		L	$R_1$	$R_2$	...	$R_7$	$R_7$													
X		$R_1$	$R_2$	$R_3$	...	$R_8$	$R_8$													
		X	X	X	...	X	X	L	$R_1$	$R_2$	$R_3$	...	$R_8$							
		$P_1$	$P_2$	$P_3$	...	$P_8$	$P_8$	H	$P_1$	$P_2$	$P_3$	...	$P_8$	L	$P_1$	$P_2$	$P_3$	...	$P_8$	
									X	X	X	...	X	H	H	H	...	H		

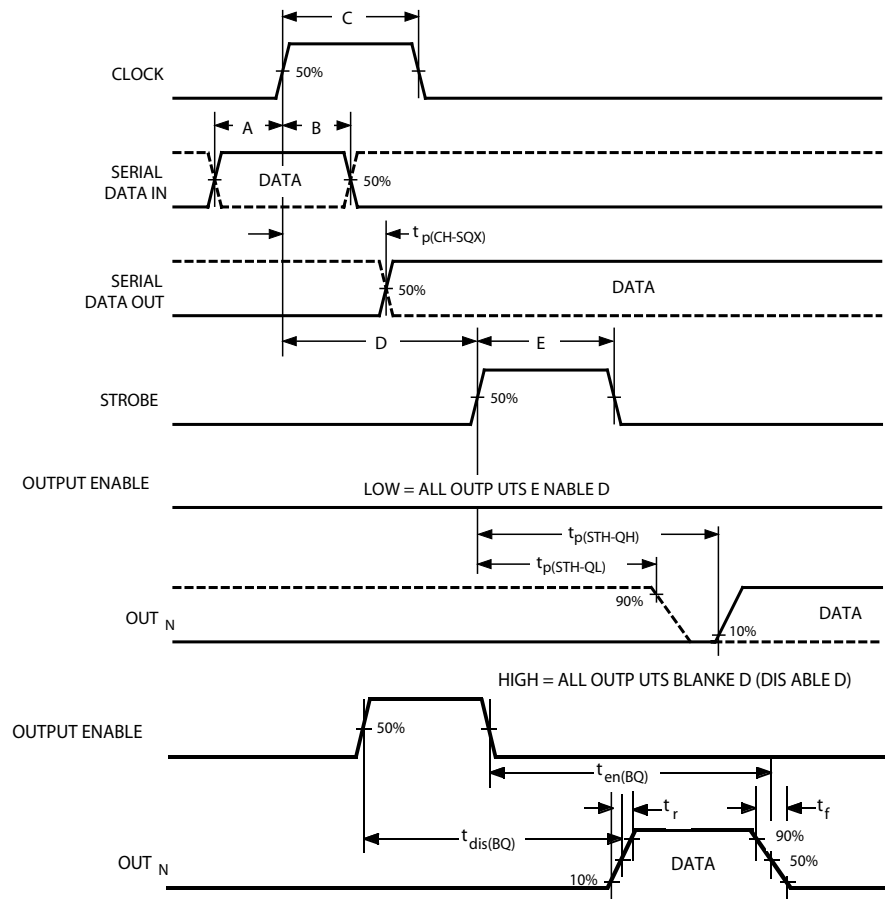
L = Low Logic Level  
H = High Logic Level  
X = Irrelevant  
P = Present State

R = Previous State  
OE = Output Enable  
ST = Strobe

# A6821

## *DABiC-5 8-Bit Serial Input Latched Sink Drivers*

### Timing Requirements and Specifications (Logic Levels are $V_{DD}$ and Ground)



Key	Description	Symbol	Time (ns)
A	Data Active Time Before Clock Pulse (Data Set-Up Time)	$t_{su(D)}$	25
B	Data Active Time After Clock Pulse (Data Hold Time)	$t_h(D)$	25
C	Clock Pulse Width	$t_w(CH)$	50
D	Time Between Clock Activation and Strobe	$t_{su(C)}$	100
E	Strobe Pulse Width	$t_w(STH)$	50

NOTE: Timing is representative of a 10 MHz clock. Higher speeds may be attainable; operation at high temperatures will reduce the specified maximum clock frequency.

Powering-on with the inputs in the low state ensures that the registers and latches power-on in the low state (POR).

Serial Data present at the input is transferred to the shift register on the logical 0 to logical 1 transition of the CLOCK input pulse. On succeeding CLOCK pulses, the registers shift data information towards the SERIAL DATA OUTPUT. The SERIAL DATA must appear at the input prior to the rising edge of the CLOCK input waveform.

Information present at any register is transferred to the respective latch when the STROBE is high (serial-to-parallel conversion). The latches will continue to accept new data as long as the STROBE is held high. Applications where the latches are bypassed (STROBE tied high) will require that the OUTPUT ENABLE input be high during serial data entry.

When the OUTPUT ENABLE input is high, all of the output buffers are disabled (OFF). The information stored in the latches or shift register is not affected by the OUTPUT ENABLE input. With the OUTPUT ENABLE input low, the outputs are controlled by the state of their respective latches.

# A6821

## *DABiC-5 8-Bit Serial Input Latched Sink Drivers*

Maximum Allowable Duty Cycle,  $I_{OUT} = 200\text{ mA}$ ,  $V_{DD} = 5\text{ V}$

Number of Outputs ON	Ambient Temperature				
	25°C	40°C	50°C	60°C	70°C
A6821SA/A6821EA					
8	90%	79%	72%	65%	57%
7	100%	90%	82%	74%	65%
6	100%	100%	96%	86%	76%
5	100%	100%	100%	100%	91%
4	100%	100%	100%	100%	100%
3	100%	100%	100%	100%	100%
2	100%	100%	100%	100%	100%
1	100%	100%	100%	100%	100%
A6821SLW					
8	67%	59%	54%	49%	43%
7	77%	68%	62%	56%	49%
6	90%	79%	72%	65%	57%
5	100%	95%	86%	78%	68%
4	100%	100%	100%	98%	86%
3	100%	100%	100%	100%	100%
2	100%	100%	100%	100%	100%
1	100%	100%	100%	100%	100%

Terminal List Table

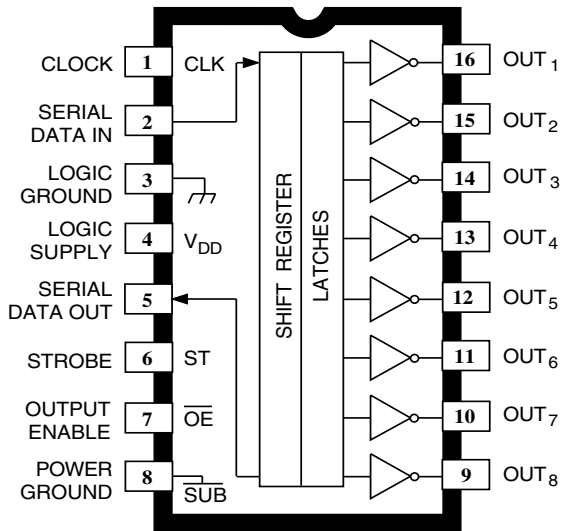
Name	Description	Pin
CLK	Clock	1
	Serial Data In	2
	Logic Ground*	3
VDD	Logic Supply	4
	Serial Data Out	5
ST	Strobe	6
$\overline{OE}$	Output Enable (active low)	7
SUB	Power Ground*	8
OUT <sub>8</sub>	Serial Data Output	9
OUT <sub>7</sub>	Serial Data Output	10
OUT <sub>6</sub>	Serial Data Output	11
OUT <sub>5</sub>	Serial Data Output	12
OUT <sub>4</sub>	Serial Data Output	13
OUT <sub>3</sub>	Serial Data Output	14
OUT <sub>2</sub>	Serial Data Output	15
OUT <sub>1</sub>	Serial Data Output	16

\* There is an indeterminate resistance between logic ground and power ground.  
For proper operation, these terminals must be externally connected together.

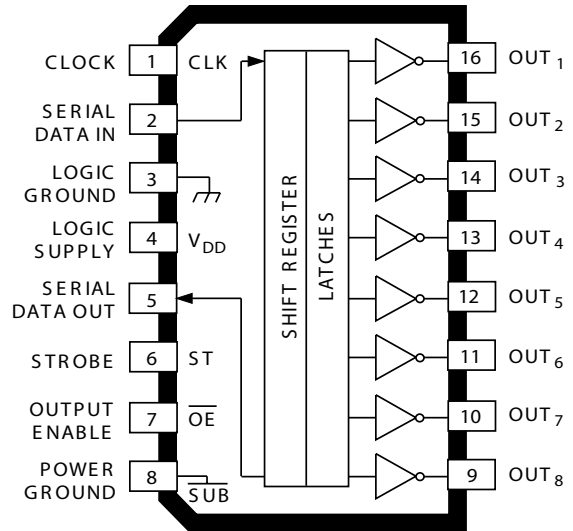
# A6821

## *DABiC-5 8-Bit Serial Input Latched Sink Drivers*

Package A  
16-pin DIP



Package LW  
16-pin Wide Body SOIC

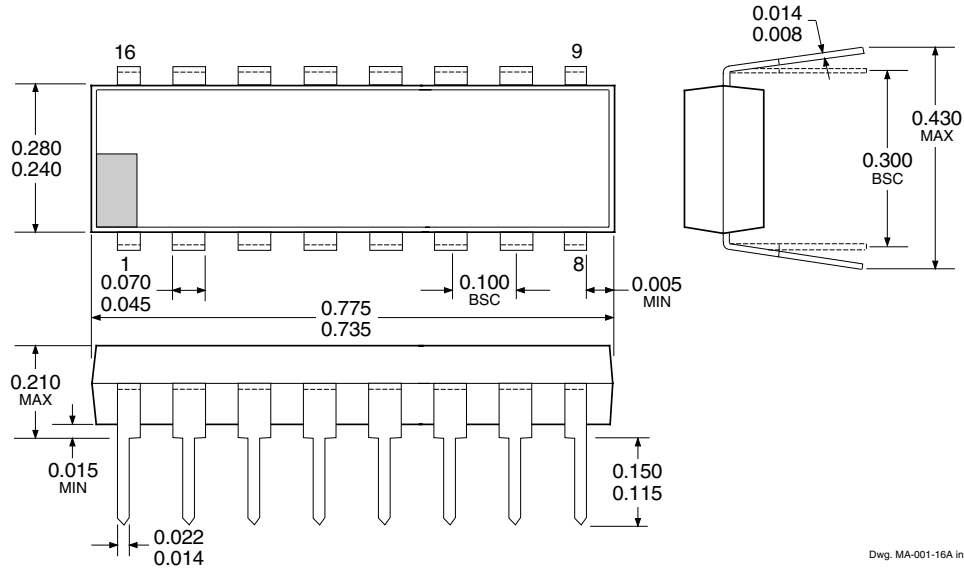


# A6821

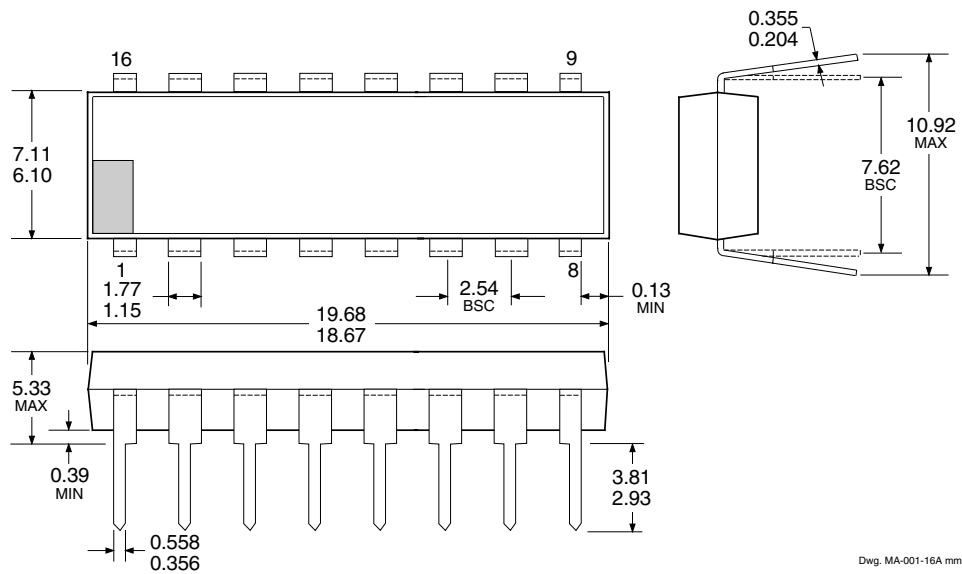
## *DABiC-5 8-Bit Serial Input Latched Sink Drivers*

### Package A 16-pin DIP

**Dimensions in Inches**  
(controlling dimensions)



**Dimensions in Millimeters**  
(for reference only)



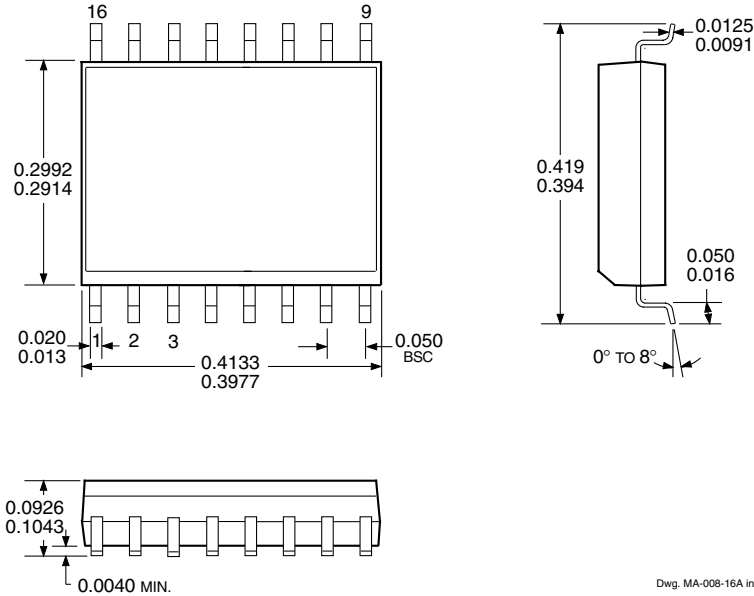
- NOTES: 1. Lead thickness is measured at seating plane or below.  
 2. Lead spacing tolerance is non-cumulative.  
 3. Exact body and lead configuration at vendor's option within limits shown.

# A6821

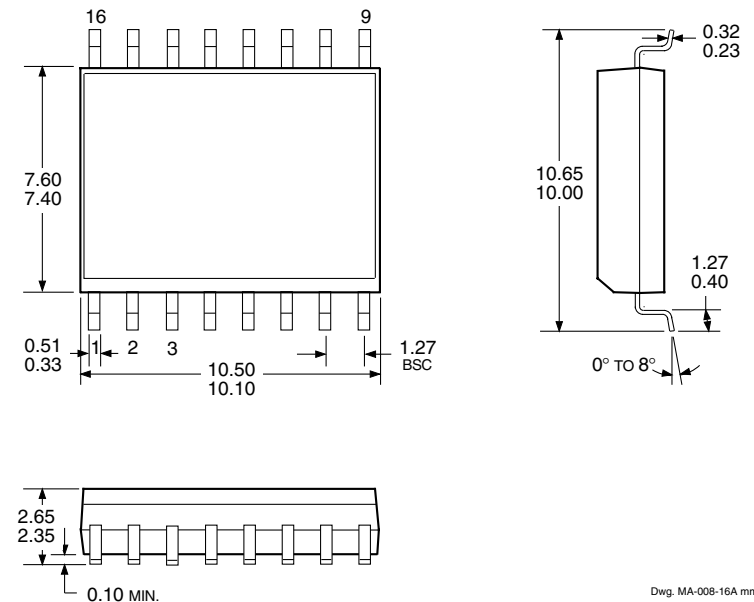
## *DABiC-5 8-Bit Serial Input Latched Sink Drivers*

Package LW  
16-pin Wide Body SOIC

**Dimensions in Inches**  
(for reference only)



**Dimensions in Millimeters**  
(controlling dimensions)



- NOTES: 1. Lead spacing tolerance is non-cumulative.  
2. Exact body and lead configuration at vendor's option within limits shown.



# A6821

## *DABiC-5 8-Bit Serial Input Latched Sink Drivers*

*The products described here are manufactured under one or more U.S. patents or U.S. patents pending.*

*Allegro MicroSystems, Inc. reserves the right to make, from time to time, such departures from the detail specifications as may be required to permit improvements in the performance, reliability, or manufacturability of its products. Before placing an order, the user is cautioned to verify that the information being relied upon is current.*

*Allegro products are not authorized for use as critical components in life-support devices or systems without express written approval.*

*The information included herein is believed to be accurate and reliable. However, Allegro MicroSystems, Inc. assumes no responsibility for its use; nor for any infringement of patents or other rights of third parties which may result from its use.*

Copyright©2004, 2005 AllegroMicrosystems, Inc.

